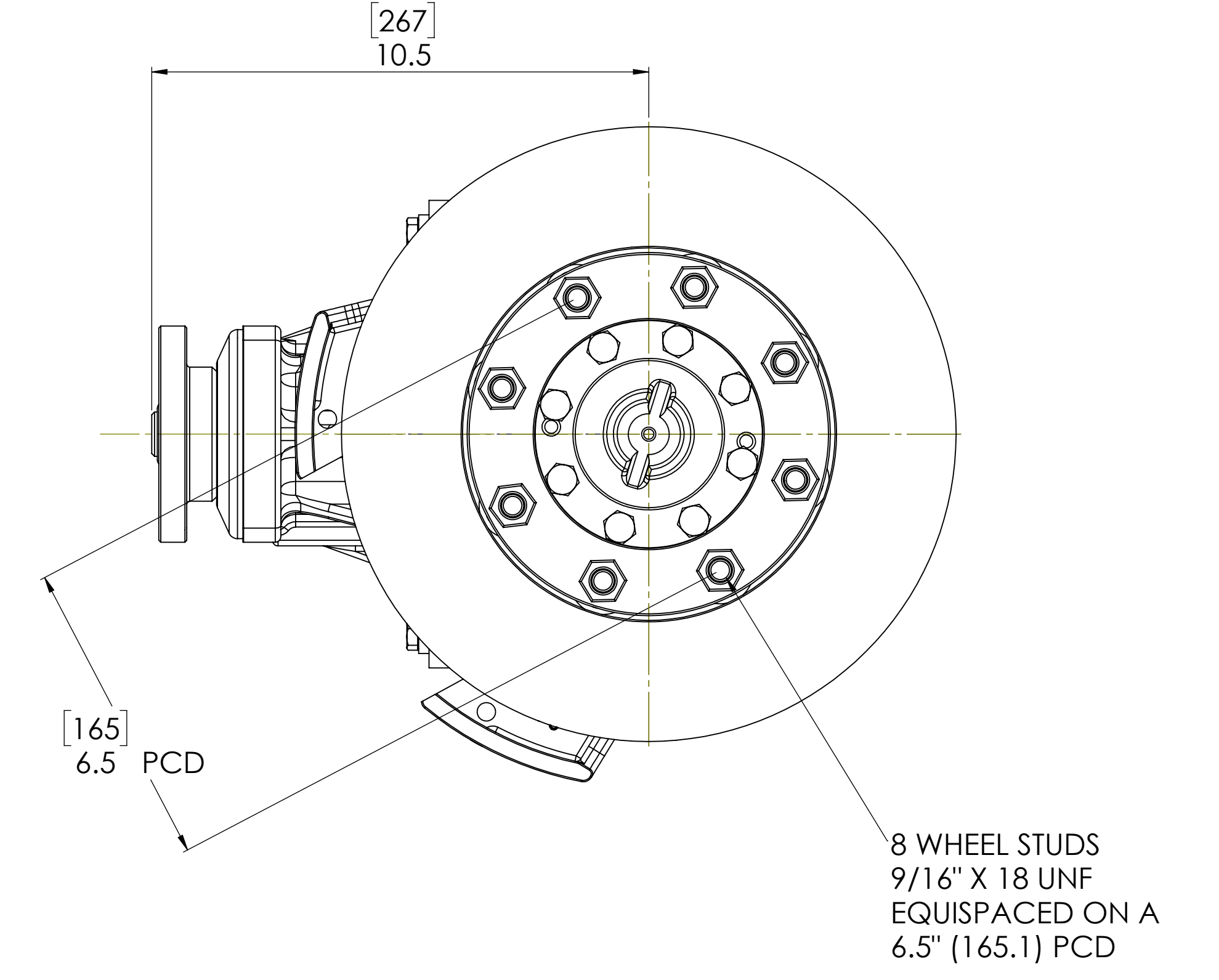
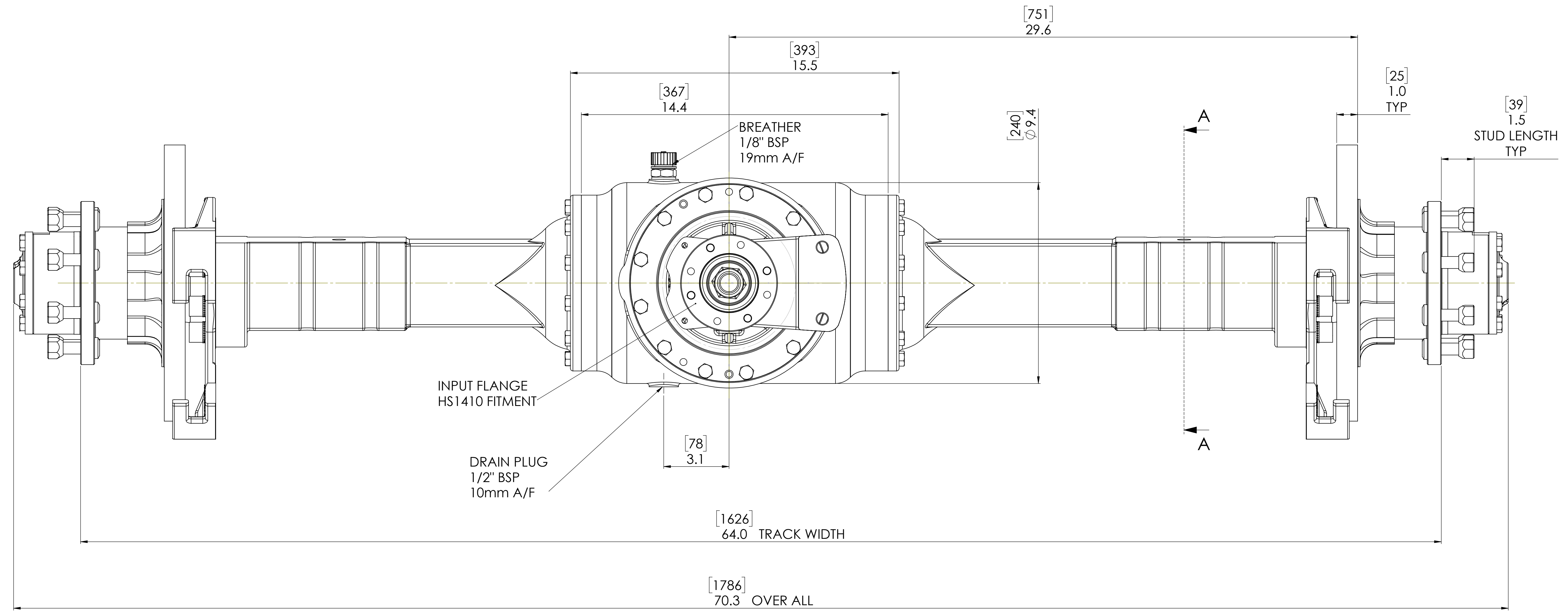
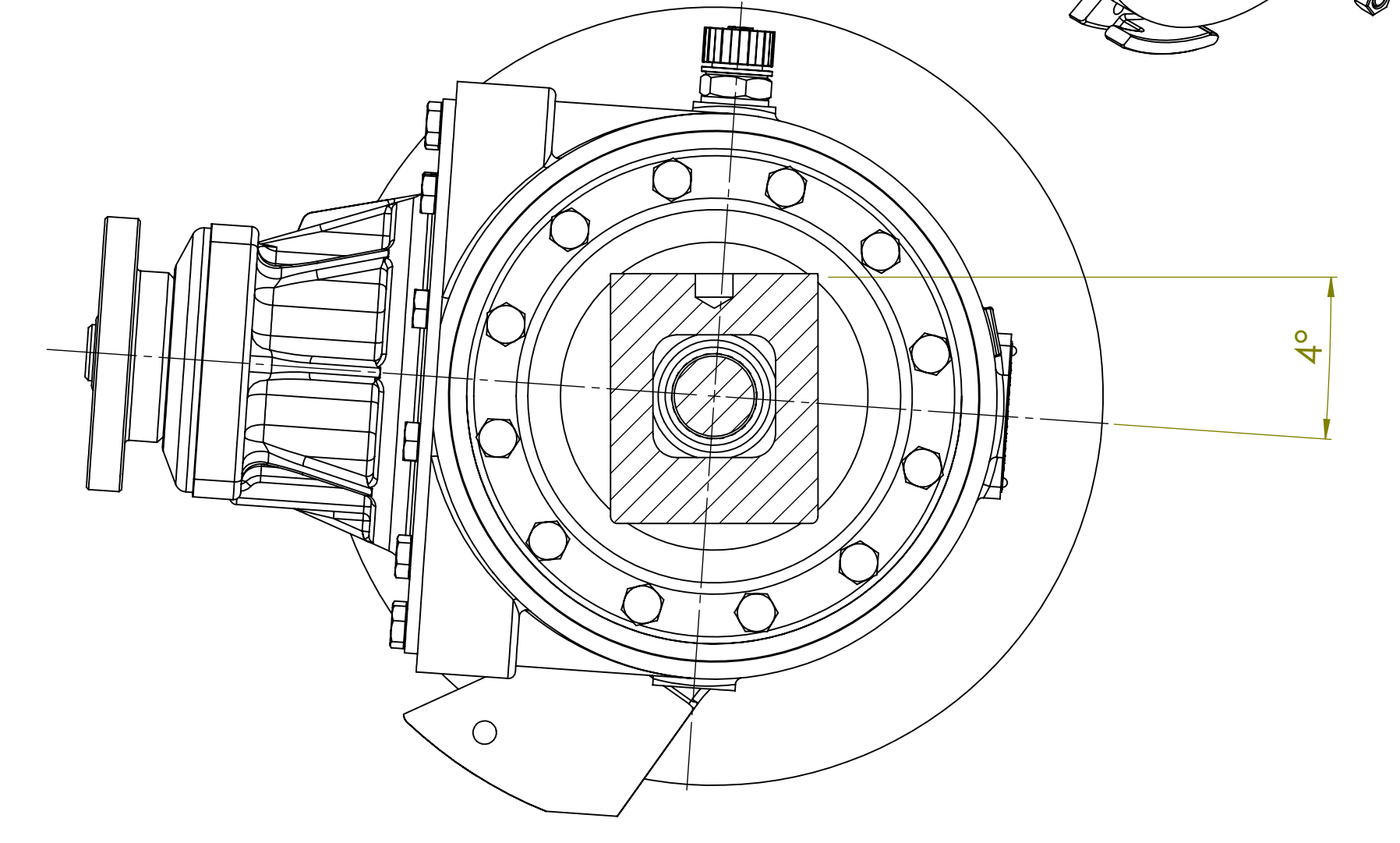
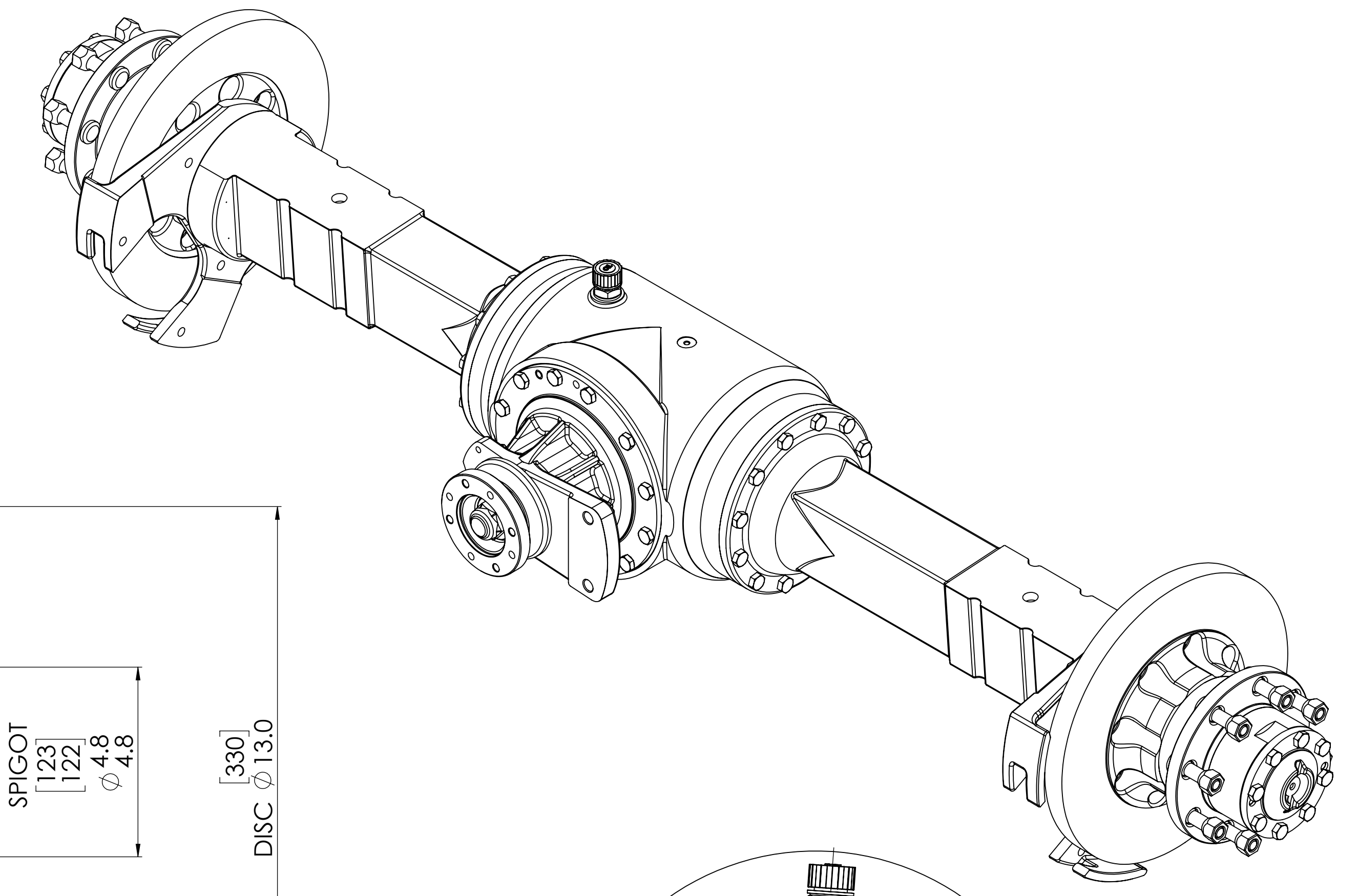
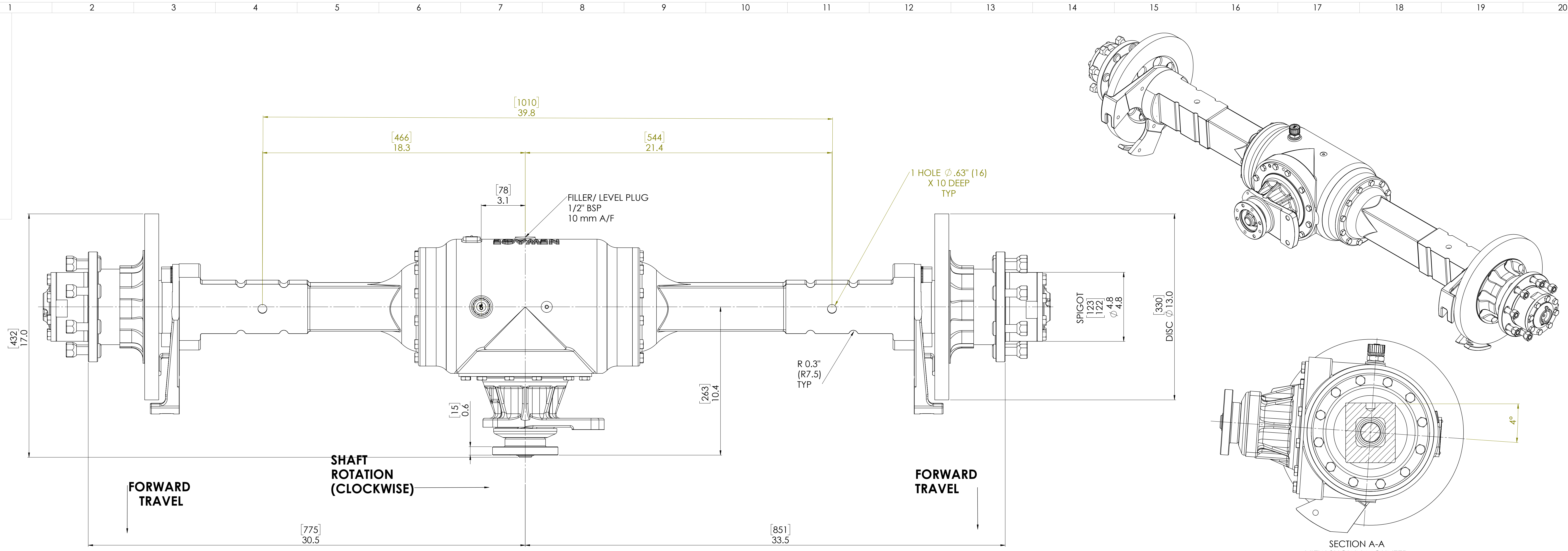
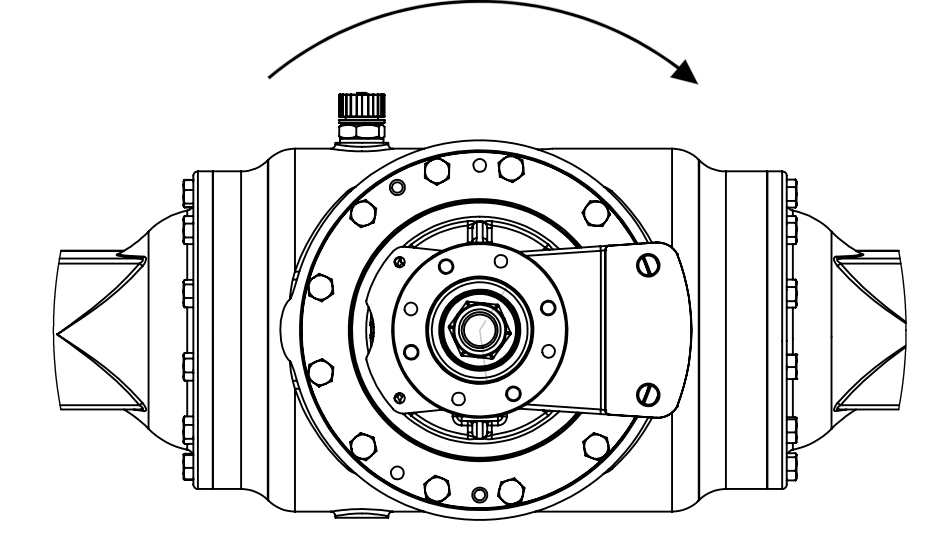


PART NO: 21614T073-INST



DIRECTION OF ROTATION  
CLOCKWISE AS VIEWED ON INPUT FLANGE



- NOTES:
1. AXLE HAS AN INVERTED LIMITED SLIP DIFFERENTIAL
  2. MAXIMUM LOAD 7054 lb (3200 Kg) AT 64" (1625.6) TRACK WIDTH.
  3. NOMINAL OUTPUT TORQUE AT TWO WHEELS 4764 lbf (6460 Nm).
  4. OVERALL RATIO 14.78:1
  5. LUBRICATING OIL 80W/90 API GL-5 MINERAL OIL.
  6. APPROXIMATE OIL CAPACITY 1 US GALLON (4 LITRES).
  7. APPROXIMATE DRY WEIGHT 441 lbs (200KG).

THIS DOCUMENT IS CONFIDENTIAL AND IS THE PROPERTY OF PRM NEWAGE LTD. IT IS SUPPLIED ON THE EXPRESS CONDITION THAT IT MAY NOT BE LOANED, COPIED OR DISCLOSED TO ANY THIRD PARTY AND MUST BE RETURNED ON DEMAND.		ISS	MODIFICATION DESCRIPTION	BY	DATE	MOD No
DO NOT SCALE. IF IN DOUBT ASK!	SHEET No: 1 of 1	STATUS: PROTOTYPE	SCALE: 1:2.5	DATE: 16/08/2019	DRAWN: S HYLANDS APPROVED:	
DIMENSIONS IN mm UNLESS OTHERWISE STATED. GENERAL MC FINISH RA 6.3. THREADS TO BRITISH FIT (H/F). WHOLE DIMENSIONS $\pm$ 0.1mm. DECIMAL DIMENSIONS $\pm$ 0.25mm. ANGULAR DIMENSIONS $\pm$ 0.50°.		MATERIAL:		HEAT TREATMENT:		ISSUE: A
TITLE: 216 - BELTLOADER AXLE - PB READY			PART NO: 21614T073-INST			